

7197T
ETHERNET ANALOG SERVO INTERFACE

V1.1

Table of Contents

GENERAL	1
DESCRIPTION	1
HARDWARE CONFIGURATION	2
GENERAL	2
ENCODER INPUT MODE	2
EXPANSION CONNECTOR 5V POWER	3
EXPANSION CONNECTOR 5V I/O TOLERANCE	3
P2 PULLUP OR PULLDOWN SELECTION	3
RS-422/RS-485 TERMINATION	3
IP ADDRESS SELECTION	4
CONNECTORS	5
7197T CONNECTOR LOCATIONS AND DEFAULT JUMPER POSITIONS ...	5
P3 POWER CONNECTOR PINOUT	6
P1 JTAG CONNECTOR PINOUT	6
FRAME GROUND CONNECTION	6
P2 EXPANSION CONNECTOR	7
TB1 ENCODER 0 THROUGH 2	8
TB2 ENCODER 3 THROUGH 5	9
TB3 ANALOG DRIVE INTERFACE CONNECTOR	10
TB4 ISOLATED INPUT + RS-422 CONNECTOR	11
TB5 ISOLATED I/O CONNECTOR	12
OPERATION	13
RS-422/RS-485 INTERFACE	13
ANALOG SERVO DRIVE INTERFACE	14
SUGGESTED PWM SETUP	14
SERVO ENABLE OUTPUTS	14
ENCODER INTERFACE	14
MAXIMUM ENCODER COUNT RATE	14
BOARD STATUS LEDS	15
I/O STATUS LEDS	15
ISOLATED I/O	15
ISOLATED INPUT CHARACTERISTICS	16
MPG ENCODER INPUTS	16
ISOLATED OUTPUT CHARACTERISTICS	16

Table of Contents

HOST INTERFACE	17
FPGA	17
IP ADDRESS SELECTION	17
HOST COMMUNICATION	17
UDP	17
LBP16	17
WINDOWS ARP ISSUES	17
CONFIGURATION	18
FALLBACK	18
EEPROM LAYOUT	19
BITFILE FORMAT	21
MESAFLASH	22
FREE MEMORY SPACE	22
FALLBACK INDICATION	22
FAILURE TO CONFIGURE	22
CLOCK SIGNALS	22
LOGIC POWER	23
PULLUP RESISTORS	23
EXPANSION CONNECTOR I/O LEVELS	23
EXPANSION CONNECTOR STARTUP I/O VOLTAGE	23

Table of Contents

REFERENCE INFORMATION	24
LBP16	
GENERAL	24
LBP16 COMMANDS	24
INFO AREA	25
INFO AREA MEMSIZES FORMAT	25
INFO AREA MEMRANGES FORMAT	26
INFO AREA ACCESS	27
7197T SUPPORTED MEMORY SPACES	28
SPACE0: HOSTMOT2 REGISTERS	28
SPACE1: ETHERNET CHIP ACCESS	30
SPACE2: ETHERNET EEPROM CHIP ACCESS	30
ETHERNET EEPROM LAYOUT	31
SPACE3: FPGA FLASH EEPROM CHIP ACCESS	33
FLASH MEMORY REGISTERS	33
SPACE4: LBP TIMER/UTIL REGISTERS	36
SPACE6: LBP STATUS/CONTROL REGISTERS	37
MEMORY SPACE 6 LAYOUT	37
ERROR REGISTER FORMAT	38
SPACE7: LBP READ ONLY INFORMATION	39
MEMORY SPACE 7 LAYOUT	39
ELBPCOM	40
SPECIFICATIONS	41
DRAWINGS	43

GENERAL

DESCRIPTION

The 7197T is a Ethernet connected motion control interface designed for retrofits, interfacing up to six axis of analog servo motor drives. Six +-10V anaog outputs are provided along with six quadrature encoder inputs. The 7197T also has 16 isolated inputs plus 6 isolated outputs for general purpose I/O use. I/O expansion includes a RS-422/RS-485 serial port and a parallel expansion port compatible with Mesa 25 pin daughtercards and standard parallel port breakouts.

In addition to the general purpose I/O, each analog output channel has a drive enable output.

16 isolated inputs are provided for general control use including limit switch and control panel inputs. Inputs operate with 4V to 36V DC and can have a positive or negative common for sourcing or sinking input applications. 8 inputs can be used to support up to 4 quadrature MPGs. Six 36V 2A isolated outputs allow sinking, sourcing combinations of both.

One RS-422/RS-485 interface is provided for I/O expansion via a serial I/O daughtercard. In addition to the on card I/O, A FPGA expansion connector compatible with Mesa's 25 pin daughtercards or standard parallel port breakout boards allow almost unlimited I/O options including additional quadrature or absolute encoder inputs, step/dir or PWM/dir outputs, and field I/O expansion to hundreds of I/O of points. All field wiring is terminated in pluggable 3.5 mm screw terminal blocks.

HARDWARE CONFIGURATION

GENERAL

Hardware setup jumper positions assume that the 7I97T card is oriented in an upright position, that is, with the host interface RJ-45 connector pointing towards the left.

ENCODER INPUT MODE

The 7I97Ts high speed encoder inputs can be programmed for differential or single ended mode operation. When the jumpers are in the right hand position, the encoder input is mode is differential. When the jumpers are in the left hand position, the encoder input mode is single ended or "TTL". Normally all three jumpers per encoder are set to the same mode but they can be set differently.

CHANNEL	QUAD-A JPR	QUAD-B JPR	INDEX-Z JPR
ENCODER 0	W19	W17	W15
ENCODER 1	W13	W9	W7
ENCODER 2	W5	W3	W1
ENCODER 3	W20	W18	W16
ENCODER 4	W14	W10	W8
ENCODER 5	W6	W4	W2

HARDWARE CONFIGURATION

EXPANSION CONNECTOR 5V POWER

The 7197T has the option to supply 5V power to the breakout board connected to its expansion connector (P2).

This option should only be enabled for Mesa breakout boards or boards specifically wired to accept 5V power on DB25 pins 22 through 25. When the option is disabled DB25 pins 22 through 25 are grounded. Jumper W23 controls the breakout power option.

JUMPER	POS	FUNCTION
W22	UP	5V BREAKOUT POWER ENABLED
W22	DOWN	5V BREAKOUT POWER DISABLED (<i>DEFAULT</i>)

5V TOLERANCE

The FPGA used on the 7197T has a 4.65V absolute maximum input voltage specification. To allow interfacing with 5V inputs, the 7197T has bus switches on all I/O pins. The bus switches work by turning off when the input voltage exceeds a preset threshold. The bus switches also allow the I/O pins to be pulled up to 5V when used as inputs or outputs in the open drain mode.

P2 PULLUP OR PULLDOWN SELECTION

Jumper W21 selects whether the I/O pins on P2 have pullup or pulldown resistors. When W21 is in the UP position, the I/O pins of P2 have pullup resistors. When W21 is in the DOWN position, the I/O pins of P2 have pulldown resistors.

JUMPER	POS	FUNCTION
W21	UP	PULLUP TO 5V
W21	DOWN	PULLDOWN TO 0V

RS-422/RS-485 TERMINATION

7197T cards have an option to remove the termination on the RS-422/RS-485 port. This helps improve noise immunity on slow RS-485 links like MODBUS. W23 determines the termination.

JUMPER	POS	FUNCTION
W23	LEFT	TERMINATION ENABLED (RS-422, SSERIAL)
W23	RIGHT	TERMINATION DISABLED (MODBUS ETC)

HARDWARE CONFIGURATION

IP ADDRESS SELECTION

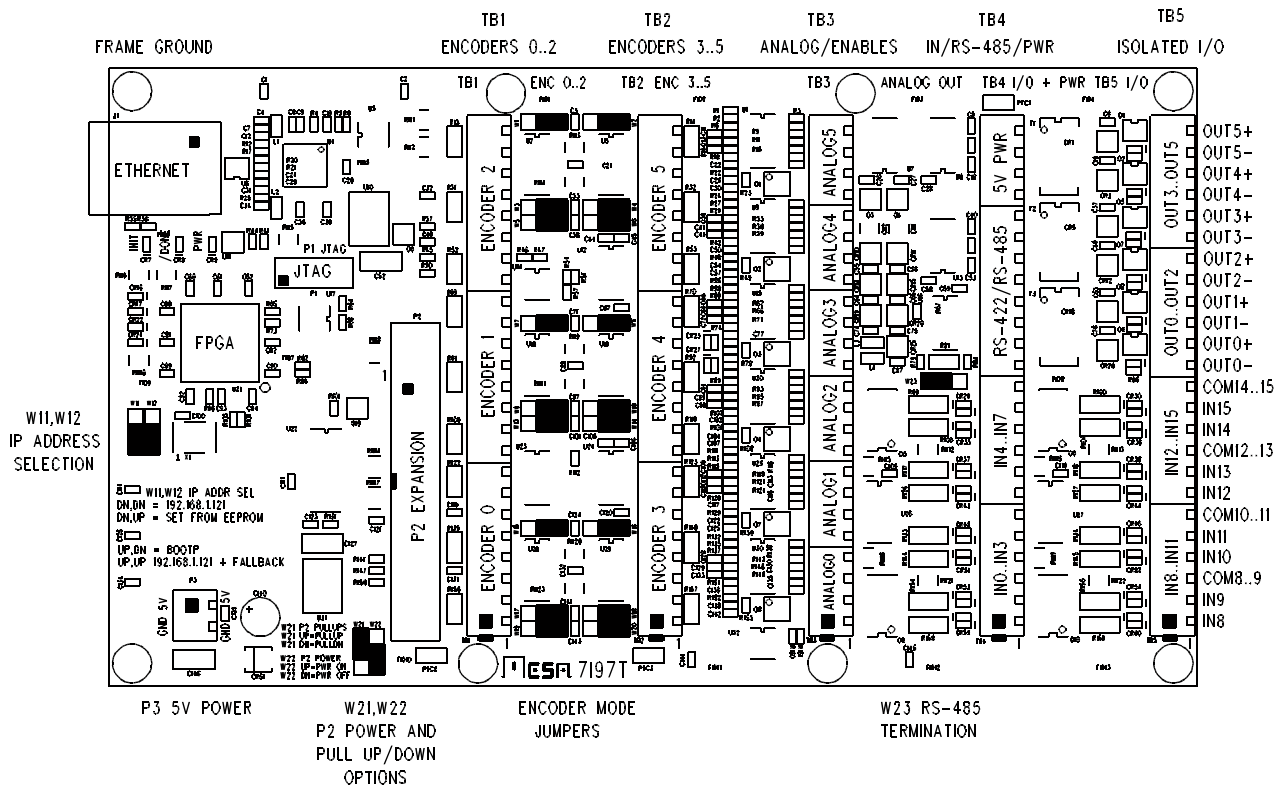
The 7I97T has four options for selecting its IP address. These options are selected by Jumpers W11 and W12.

W11	W12	IP ADDRESS
DOWN	DOWN	FIXED 192.168.1.121 (DEFAULT)
DOWN	UP	FIXED FROM EEPROM
UP	DOWN	BOOTP
UP	UP	FIXED 192.168.1.121 + FALLBACK

Note: **The as shipped default EEPROM IP address is 10.10.10.10.** This can be changed via the mesaflash utility

CONNECTORS

7197T CONNECTOR LOCATIONS AND DEFAULT JUMPER POSITIONS



NOTE: BLACK SQUARES INDICATE PIN 1

CONNECTORS

P3 POWER CONNECTOR PINOUT

P3 is the 7197Ts 5V power connector. **Do not supply any voltage other than 5V to P3!** P3 is a 3.5MM plug-in screw terminal block. P3 pinout is as follows:

PIN	FUNCTION	
1	+5V	TOP, SQUARE PAD
2	GND	BOTTOM, ROUND PAD

P1 JTAG CONNECTOR PINOUT

P1 is a JTAG programming connector. This is normally used only for debugging or if both EEPROM configurations have been corrupted. In case of corrupted EEPROM contents the EEPROM can be re-programmed Efinix's stand alone programming tool.

P1 JTAG CONNECTOR PINOUT

PIN	FUNCTION	PIN	FUNCTION
1	TMS	2	TDI
3	TDO	4	GND
5	TCK	6	GND
7	/RESET	8	GND
9	/SS	10	+3.3V

FRAME GROUND

The top left mounting hole (near the Ethernet jack) is the frame ground connection. This should be grounded to earth/frame ground for best ESD/EMI resistance.

CONNECTORS

P2 EXPANSION CONNECTOR

The 7197T has a 26 pin header to allow I/O expansion beyond the built in I/O on the 7197T card. This I/O can include step/dir channels, more encoders, etc. This header has a pin-out that matches standard parallel port breakout cards and Mesa's 25 pin FPGA daughtercards, when terminated with a DB25 connector.

P2 PIN	DB25 PIN	P1 FUNC	P2 PIN	DB25 PIN	P2 FUNC
1	1	IO34	2	14	IO35
3	2	IO36	4	15	IO37
5	3	IO38	6	16	IO39
7	4	IO40	8	17	IO41
9	5	IO42	10	18	GND
11	6	IO43	12	19	GND
13	7	IO44	14	20	GND
15	8	IO45	16	21	GND
17	9	IO46	18	22	GND / 5V
19	10	IO47	20	23	GND / 5V
21	11	IO48	22	24	GND or 5V
23	12	IO49	24	25	GND or 5V
25	13	IO50	26	XX	GND or 5V

P2 header pins 18,20,22,24,26 (DB25 pins 22 through 25) can be tied to ground or 5V, depending on W22 position.

CONNECTORS

TB1 ENCODER 0 THROUGH 2

TB1 is the 7I97Ts encoder 0 through 2 connector. Each encoder interface uses 8 pins TB1 is a 24 pin 3.5 MM pluggable terminal block with supplied with three eight pin removable screw terminal plugs.

TB1 PIN	FUNCTION	DIR
1	QA0	TO 7I97T
2	/QA0	TO 7I97T
3	GND	FROM 7I97T
4	QB0	TO 7I97T
5	/QB0	TO 7I97T
6	+5V	FROM 7I97T
7	IDX0	TO 7I97T
8	/IDX0	TO 7I97T
9	QA1	TO 7I97T
10	/QA1	TO 7I97T
11	GND	FROM 7I97T
12	QB1	TO 7I97T
13	/QB1	TO 7I97T
14	+5V	FROM 7I97T
15	IDX1	TO 7I97T
16	/IDX1	TO 7I97T
17	QA2	TO 7I97T
18	/QA2	TO 7I97T
19	GND	FROM 7I97T
20	QB2	TO 7I97T
21	/QB2	TO 7I97T
22	+5V	FROM 7I97T
23	IDX2	TO 7I97T
24	/IDX2	TO 7I97T

CONNECTORS

TB2 ENCODER 3 THROUGH 5

TB2 is the 7I97Ts encoder 3 through 5 connector. Each encoder interface uses 8 pins. TB2 is a 24 pin 3.5 MM pluggable terminal block supplied with three eight pin removable screw terminal plugs.

TB2 PIN	FUNCTION	DIR
1	QA3	TO 7I97T
2	/QA3	TO 7I97T
3	GND	FROM 7I97T
4	QB3	TO 7I97T
5	/QB3	TO 7I97T
6	+5V	FROM 7I97T
7	IDX3	TO 7I97T
8	/IDX3	TO 7I97T
9	QA4	TO 7I97T
10	/QA4	TO 7I97T
11	GND	FROM 7I97T
12	QB4	TO 7I97T
13	/QB4	TO 7I97T
14	+5V	FROM 7I97T
15	IDX4	TO 7I97T
16	/IDX4	TO 7I97T
17	QA5	TO 7I97T
18	/QA5	TO 7I97T
19	GND	FROM 7I97T
20	QB5	TO 7I97T
21	/QB5	TO 7I97T
22	+5V	FROM 7I97T
23	IDX5	TO 7I97T
24	/IDX5	TO 7I97T

CONNECTORS

TB3 ANALOG DRIVE INTERFACE

TB3 is the 7I97Ts analog drive interface connector. It has both the +-10V analog outputs and the drive enable connections. Each drive interface uses 4 pins. TB3 is a 24 pin 3.5 MM pluggable terminal block supplied with six four pin removable screw terminal plugs.

TB3 PIN	SIGNAL	DIRECTION
1	ENA0-	FROM 7I97T
2	ENA0+	FROM 7I97T
3	GND	FROM 7I97T
4	AOUT0	FROM 7I97T
5	ENA1-	FROM 7I97T
6	ENA1+	FROM 7I97T
7	GND	FROM 7I97T
8	AOUT1	FROM 7I97T
9	ENA2-	FROM 7I97T
10	ENA2+	FROM 7I97T
11	GND	FROM 7I97T
12	AOUT2	FROM 7I97T
13	ENA3-	FROM 7I97T
14	ENA3+	FROM 7I97T
15	GND	FROM 7I97T
16	AOUT3	FROM 7I97T
17	ENA4-	FROM 7I97T
18	ENA4+	FROM 7I97T
19	GND	FROM 7I97T
20	AOUT4	FROM 7I97T
21	ENA5-	FROM 7I97T
22	ENA5+	FROM 7I97T
23	GND	FROM 7I97T
24	AOUT5	FROM 7I97T

CONNECTORS

TB4 ISOLATED INPUT + RS-422 CONNECTOR

TB4 is the 7197Ts isolated input, RS-422/RS-485 port, aux 5V input connector. TB4 is a 24 pin 3.5 MM pluggable terminal block supplied with two six pin terminal plugs for the isolated inputs, one eight pin terminal plug for the RS-422 interface, and a four pin terminal plug for the aux 5V power.

TB4 PIN	SIGNAL	DIRECTION
1	IN0	TO 7197T
2	IN1	TO 7197T
3	IN COMMON 0,1	TO 7197T
4	IN2	TO 7197T
5	IN3	TO 7197T
6	IN COMMON 2,3	TO 7197T
7	IN4	TO 7197T
8	IN5	TO 7197T
9	IN COMMON 4,5	TO 7197T
10	IN6	TO 7197T
11	IN7	TO 7197T
12	IN COMMON 6,7	TO 7197T
13	GND	FROM 7197T
14	GND	FROM 7197T
15	RS-422/485 RX+	TO 7197T
16	RS-422/485 RX-	TO 7197T
17	RS-422/485 TX+	FROM 7197T
18	RS-422/485 TX-	FROM 7197T
19	+5VP	FROM 7197T
20	+5VP	FROM 7197T
21	+5V	TO 7197T
22	+5V	TO 7197T
23	GND	TO 7197T
24	GND	TO 7197T

CONNECTORS

TB5 I/O

TB5 is the 7197Ts isolated input and isolated output connector. TB5 is a 24 pin 3.5 MM pluggable terminal block supplied with four six pin removable screw terminal plugs.

TB5 PIN	SIGNAL	DIRECTION
1	IN8	TO 7197T
2	IN9	TO 7197T
3	IN COMMON 8,9	TO 7197T
4	IN10	TO 7197T
5	IN11	TO 7197T
6	IN COMMON 10,11	TO 7197T
7	IN12	TO 7197T
8	IN13	TO 7197T
9	IN COMMON 12,13	TO 7197T
10	IN14	TO 7197T
11	IN15	TO 7197T
12	IN COMMON 14,15	TO 7197T
13	OUT0-	FROM 7197T
14	OUT0+	FROM 7197T
15	OUT1-	FROM 7197T
16	OUT1+	FROM 7197T
17	OUT2-	FROM 7197T
18	OUT2+	FROM 7197T
19	OUT3-	FROM 7197T
20	OUT3+	FROM 7197T
21	OUT4-	FROM 7197T
22	OUT4+	FROM 7197T
23	OUT5-	FROM 7197T
24	OUT5+	FROM 7197T

OPERATION

RS-422/RS-485 INTERFACE

The 7I97T has one RS-422/RS-485 interface available on TB4. This interface is intended for I/O expansion with Mesa SSERIAL devices. The easiest way to make a cable for interfacing the 7I97T to these devices is to take a standard CAT5 or CAT6 cable, cut it in half, and wire the individual wires to the 7I97T screw terminals. The following chart gives the CAT5 to 7I97T screw terminal connections with EIA/TIA 568B colors:

TB4 PIN	SIGNAL	DIRECTION	CAT5 PIN	CAT5 568B COLOR
13	GND	FROM 7I97T	4	BLUE
14	GND	FROM 7I97T	5	BLUE / WHITE
15	RX+	TO 7I97T	6	GREEN
16	RX-	TO 7I97T	3	GREEN / WHITE
17	TX+	FROM 7I97T	2	ORANGE
18	TX-	FROM 7I97T	1	ORANGE / WHITE
19	+5V	FROM 7I97T	7	BROWN /WHITE
20	+5V	FROM 7I97T	8	BROWN

For 2 wire RS-485 applications, TX+ must be connected to RX+ and TX- must be connected to RX-. For slow RS-485 applications, termination should be disabled (W23 right)

OPERATION

ANALOG SERVO DRIVE INTERFACE

The 7I97T provides six channels of +/-10V analog servo interface on connector TB3. Minimum load resistance is 2K Ohms. Normally analog servo drives use differential inputs to avoid ground loops. Suggested wiring is shielded twisted pair with 7I97T AOUTN to drive AIN+, 7I97T GNDN (adjacent to AOUTN) to drive AIN- as the twisted pair and 7I97T GNDN connected to the shield at the 7I97T end only. The drives common or GND signal should be connected to the 7I97T power GND with a separate wire.

SUGGESTED PWM SETUP

The 7I97T analog outputs are generated by PWM signals. For the best combination of linearity, resolution, and ripple it is suggested to use 40 KHz as the PWM frequency for LinuxCNC 2.9.1 or earlier and 75 KHz PWM frequency with dither enabled for LinuxCNC 2.9.2 and later. Offset PWM mode must be enabled for correct bipolar output.

SERVO ENABLE OUTPUTS

Six uncommitted OPTO coupler outputs are available for drive enable. Four of these outputs (ENA0 through ENA3) are switched in common while ENA4 and ENA5 can be independently switched for spindle applications. The ENA outputs are floating switches so can be used for active high and active low drive enables. Output rating of the switches is 50 mA max at 100VDC max . Note that the enable outputs are polarized and can be damaged with reverse polarity. For active high drive enables, ENAN+ should go to the appropriate positive power supply and ENAN- to the drive enable input. For active low enable drives, ENAN+ should go to the drive enable and ENAN- to control power ground.

ENCODER INTERFACE

The 7I97T provides six channels of quadrature encoder interface with index. Encoder inputs can be programmed for differential or single ended encoders. The encoder interface also provides short circuit protected 5V power to the encoders. When used with single ended encoders, the ENCA+, ENCB+ and IDX+ signals are wired to the encoder and the ENCA-, ENCB-, and IDX- terminal left unconnected.

MAXIMUM ENCODER COUNT RATE

The 7I97T uses multiplexed encoder signals to save FPGA pins. The multiplexing rate will determine the maximum encoder count rate. Default multiplexing rate with HostMot2 firmware is $\text{ClockLow} / 16$, or approximately 6 MHz giving a resolvable count rate of 3 MHz. The maximum count rate can be increased by increasing the muxed encoder sample rate.

OPERATION

BOARD STATUS LEDS

The 7I97T has nine LEDS for card status monitoring. The color, function and locations are as follows:

LED	COLOR	FUNCTION	OK	LOCATION
CR7	RED	FPGA /INIT	OFF	TOP LEFT
CR8	RED	FPGA /DONE	OFF	TOP LEFT
CR9	YELLOW	5V LOGIC POWER	ON	TOP LEFT
CR16	GREEN	USER LED3	ANY	TOP LEFT
CR17	GREEN	USER LED2	ANY	TOP LEFT
CR22	GREEN	USER LED1	ANY	TOP LEFT
CR24	GREEN	USER LED0	ANY	TOP LEFT
CR23	YELLOW	ANALOG -12V OK	ON	CENTER
CR27	YELLOW	ANALOG +16V OK	ON	CENTER

In normal operation CR7 and CR7 will be off. If either is on after power-up there is a problem with configuring the FPGA. CR9 (5V power LED), CR23 and CR27 (analog power) LEDs should be on. The green user LEDs default function is to count received Ethernet packets but their function can be changed with mesaflash to user accessible HostMot2 LEDs if desired.

I/O STATUS LEDS

In addition to the board status LEDs, each isolated input and output has an associated yellow LED that illuminates when the input or output is active.

ISOLATED I/O

The 7I97T has 16 isolated inputs and 6 isolated outputs. The inputs are organized as 8 groups, each with a pair of inputs and a common pin. This common pin must be connected to ground for active high inputs, and connected to the I/O power for active low inputs. The separate commons allow mixed voltage and mixed sinking and sourcing inputs. The 6 isolated outputs are completely floating switches so can be used for pull-up/pull-down and mixed voltage switching.

OPERATION

ISOLATED INPUT CHARACTERISTICS

The isolated inputs use opto-isolators with a 4.7K input series resistance. This results in an approximate current draw of 5 mA at 24V. The inputs will operate with +-4V to +-36V signals relative to input common. Isolated inputs are relatively slow and not suited for signals faster than about 5 KHz. Each input pair has a separate common connection to allow mixing of sinking/sourcing and mixed supply voltages.

For PNP type sensors or switches with a common positive, the input common pin for a given input pair is grounded.

For NPN type sensors or switches with a common ground, the input common for a given input pair is connected to +5 to +36V and the input pins are grounded to activate an input.

MPG ENCODER INPUTS

Standard 7I97T firmware provides 4 quadrature MPG encoder inputs on isolated inputs 0 through 7. Since the input threshold on isolated inputs is about 3V, its best to use sinking inputs (with the input common terminal tied to +5V) with TTL output level MPGs.

INPUT	ENCODER	INPUT	ENCODER
0	QUADA-0	4	QUADA-2
1	QUADB-0	5	QUADB-2
2	QUADA-1	6	QUADA-3
3	QUADB-1	7	QUADB-3

ISOLATED OUTPUT CHARACTERISTICS

The 6 isolated outputs use full floating MOSFET switches (a DC Solid State Relay or SSR) and can be used just like a switch or relay contact. Maximum voltage is 36 VDC and maximum load current is 2A. Inductive loads must have a flyback diode. The output polarity must be observed (reversed outputs will be stuck-on).

Note: The 7I97T isolated outputs are not short circuit protected so a current limited power supply or a 2A to 5A fuse should be used in the power source that supplies the outputs.

HOST INTERFACE

FPGA

The 7I92T use a Efinix T20F256C4 FPGA.

IP ADDRESS SELECTION

Initial communication with the 7I97T requires knowing its IP address. The 7I97T has 3 IP address options: Default, EEPROM, and Bootp, selected by jumpers W11 and W12. Default IP address is always 192.168.1.121. The EEPROM IP address is set by writing Ethernet EEPROM locations 0x20 and 0X22. BootP allows the 7I97T address to be set by a DHCP/ BootP server. If BootP is chosen, the 7I97T will retry BootP requests at a ~1 Hz rate if the BootP server does not respond.

HOST COMMUNICATION

The 7I97T standard firmware is designed for low overhead real time communication with a host controller so implements a very simple set of IPV4 operations. These operations include ARP reply, ICMP echo reply, and UDP packet receive/send for host data communications. UDP is used so that the 7I97T can be used on a standard network with standard tools for non-real time applications. No fragmentation is allowed so maximum packet size is 1500 bytes.

UDP

All 7I97T Ethernet communication is done via UDP packets. The 7I97T socket number for UDP data communication is 27181. Read data is routed to the requesters port number. Under UDP, a simple register access protocol is used. This protocol is called LBP16.

LBP16

LBP16 allows read and write access to up to eight separate address spaces with different sizes and characteristics. Current firmware uses seven of these spaces. For efficiency, LBP16 allows access to blocks of registers at sequential increasing addresses. (Block transfers)

WINDOWS ARP ISSUES

The Windows XP and earlier TCP stack has a characteristic that causes it to drop outgoing UDP packets when refreshing its ARP cache. Because of this you must either verify packet transmission via echoing data from the 7I97T for every transaction (reading RXUDPCount is suggested) and retrying failed transactions, or alternatively, setting up a static entry for the 7I97T in the ARP table. This is done with windows ARP command.

HOST INTERFACE

CONFIGURATION

The 7197T is configured at power up by a SPI FLASH memory. This flash memory is an 16M bit chip that has space for two configuration files. Since all Ethernet logic on the 7197T is in the FPGA, a problem with configuration means that Ethernet access will not be possible. For this reason there is a backup method to recover from FPGA boot failures, fallback.

FALLBACK

The 7197T flash memory normally contains two configuration file images, A user image and a fallback image. If the primary user configuration is corrupted, the FPGA will load the fallback configuration so the flash memory image can be repaired remotely without having to resort to switching memories or JTAG programming.

HOST INTERFACE

EEPROM LAYOUT

The EEPROM used on the 7197T for configuration storage is the M25P16. The M25P16 is a 16 M bit (2 M byte) EEPROM with 32 64K byte sectors. Configuration files are stored on sector boundaries to allow individual configuration file erasing and updating. Standard EEPROM sector layout is as follows:

0x000000	FALLBACK CONFIGURATION BLOCK 0
0x010000	FALLBACK CONFIGURATION BLOCK 1
0x020000	FALLBACK CONFIGURATION BLOCK 2
0x030000	FALLBACK CONFIGURATION BLOCK 3
0x040000	FALLBACK CONFIGURATION BLOCK 4
0x050000	FALLBACK CONFIGURATION BLOCK 5
0x060000	FALLBACK CONFIGURATION BLOCK 6
0x070000	FALLBACK CONFIGURATION BLOCK 7
0x080000	FALLBACK CONFIGURATION BLOCK 8
0x090000	FALLBACK CONFIGURATION BLOCK 9
0x0A0000	FALLBACK CONFIGURATION BLOCK 10
0x0B0000	FALLBACK CONFIGURATION BLOCK 11
0x0C0000	UNUSED/FREE
0x0D0000	UNUSED/FREE
0x0E0000	UNUSED/FREE
0x0F0000	UNUSED/FREE

HOST INTERFACE

EEPROM LAYOUT

0x100000	USER CONFIGURATION BLOCK 0
0x110000	USER CONFIGURATION BLOCK 1
0x120000	USER CONFIGURATION BLOCK 2
0x130000	USER CONFIGURATION BLOCK 3
0x140000	USER CONFIGURATION BLOCK 4
0x150000	USER CONFIGURATION BLOCK 5
0x160000	USER CONFIGURATION BLOCK 6
0x170000	USER CONFIGURATION BLOCK 7
0x180000	USER CONFIGURATION BLOCK 8
0x190000	USER CONFIGURATION BLOCK 9
0x1A0000	USER CONFIGURATION BLOCK 10
0x1B0000	USER CONFIGURATION BLOCK 11
0x1C0000	UNUSED/FREE
0x1D0000	UNUSED/FREE
0x1E0000	UNUSED/FREE
0x1F0000	UNUSED/FREE

HOST INTERFACE

BITFILE FORMAT

The 7I97T uses bitfiles for an Efinix T20F256 FPGA and must not be programmed with bitfiles designed for the 7I97.

WARNING: Never write a bitfile that is not designed for a 7I97T into the 7I97Ts EEPROM as this can possibly "brick" the 7I97T card and require the card to be returned to Mesa for repair. In addition, never write a user configuration to the fallback location, and never write a fallback configuration to the user area.

MESAFLASH

Linux utility program mesaflash is provided to write configuration files to the 7I97T EEPROM. These files depend on a simple SPI interface built into both the standard user FPGA bitfiles and the fallback bitfile. Mesaflash version 3.4.5 or later must be used to program the 7I97T.

If mesaflash is run with a -help command line argument it will print usage information.

The following examples assume the target 7I97T is using the ROM IP address of 192.168.1.121.

```
mesaflash --device 7I97T --addr 192.168.1.121 --write FPGAFILE.BIN
```

Writes a standard binfile FPGAFILE.BIN to the user area of the EEPROM.

```
mesaflash --device 7I97T --addr 192.168.1.121 -reload
```

Reloads the FPGA from the user area of the EEPROM

```
mesaflash --device 7I97T --addr 192.168.1.121 --verify FPGAFILE.BIN
```

Verifies a standard binfile FPGAFILE.BIN with the user area of the EEPROM

```
mesaflash --device 7I97T --addr 192.168.1.121 --readhmid
```

Prints the modules and pinout of the currently loaded 7I92T firmware.

SETTING EEPROM IP ADDRESS

MESAFLASH can also write the EEPROM IP address of the 7I92T:

```
mesaflash --device 7I92T --addr 192.168.1.121 --set ip=10.10.10.100
```

The above examples assume the 7I92T has its default ROM IP address (192.168.1.121).

HOST INTERFACE

FREE FLASH MEMORY SPACE

Six 64K byte blocks of flash memory space are free when both user and fallback configurations are installed on the 7197T.

FALLBACK INDICATION

Mesa's supplied fallback configurations blink the red INIT LED on the top right hand side of the card if the primary configuration fails and the fallback configuration loaded successfully. If this happens it means the user configuration is corrupted or not a proper configuration for the 7197T's FPGA. This can be fixed by running the configuration utility and re-writing the user configuration.

FAILURE TO CONFIGURE

The 7197T should configure its FPGA within a fraction of a second of power application. If the FPGA card fails to configure, the red /DONE LED CR8 will remain illuminated. If this happens, the first thing to try is setting the IP address select option jumpers to the UP,UP positions. This will force a boot from the fallback memory location, and should allow reprogramming of the user configuration. Note that the card IP address is fixed at 192.168.1.121 when the IP select jumpers are in the UP,UP setting. If this fails, the 7197T's EEPROM must be re-programmed via the JTAG connector or (faster) JTAG FPGA load followed by Ethernet EEPROM update.

CLOCK SIGNALS

The 7197T has a single 50 MHz clock signal from an on card crystal oscillator. The clock can be multiplied and divided by the FPGA's clock generator block to generate a wide range of internal clock signals. The 50 MHz clock is also used to generate the 25MHz clock for the Ethernet interface chip.

HOST INTERFACE

LOGIC POWER

5V logic power for the host interface FPGA, expansion connectors, RS-422 and encoder connections and step/dir connections can be provided at connector P3, or alternatively TB4.

PULLUP/PULLDOWN RESISTORS

All I/O pins are provided with pull-up or pulldown resistors to allow connection to open drain, open collector, or OPTO devices. These resistors have a value of 4.7K so have a maximum pull-up/pulldown current of ~1.07 mA at 5V

IO LEVELS

The FPGA used on the 7I97T has programmable I/O levels for interfacing with different logic families. The 7I97T does not support use of the I/O standards that require input reference voltages. All standard Mesa configurations use LVTTTL levels.

Note that even though the 7I97T can tolerate 5V signal inputs, its outputs will not swing to 5V. The outputs are push pull CMOS that will drive to the output supply rail of 3.3V. This is sufficient for TTL compatibility but may cause problems with some types of loads. For example when driving an LED that has its anode connected to 5V, in such devices as OPTO isolators and I/O module rack SSRs, the 3.3V high level may not completely turn the LED off. To avoid this problem, either drive loads that are ground referred, Use 3.3V as the VCC for VCC referred loads, or use open drain mode.

STARTUP I/O VOLTAGE

After power-up or system reset and before the the FPGA is configured, the pull-up/pulldown resistors will pull all I/O signals to a high or low level. If the FPGA is used for motion control or controlling devices that could present a hazard when enabled, external circuitry should be designed so that this initial state set by the pullup/pulldown resistors results in a safe condition.

REFERENCE INFORMATION

LBP16

GENERAL

LBP16 is the simple register access protocol used by the 7197T for all Ethernet communications.

LBP16 COMMANDS

LBP16 is a simple remote register access protocol to allow efficient register access over the Ethernet link. All LBP16 commands are 16 bits in length and have the following structure:

15	14	13	12	11	10	9	8	7	6	5	4	3	2	1	0
W	A	C	M	M	M	S	S	I	N	N	N	N	N	N	N

- W Is the write bit (1 means write, 0 means read)
- A Is the includes Address bit. If this is '1' the command is followed by a 16 bit address and the address pointer is loaded with this address. if this is 0 the current address pointer for the memory space is used. Each memory space has its own address pointer.
- C Indicates if memory space itself (C='0') or associated info area for the memory will be accessed (C= '1')
- M Is the 3 bit memory space specifier 000b through 111b
- S Is the transfer element size specifier (00b = 8 bits, 01b = 16 bits 10b = 32 bits and 11b = 64 bits)
- I Is the Increment address bit. if this is '1' the address pointer is incremented by the element transfer size (in bytes) after every transfer ('0' is useful for FIFO transfers)
- N Is the transfer count in units of the selected size. 1 through 127. A transfer count of 0 is an error.

LBP16 read commands are followed by the 16 bit address (if the A bit is set). LBP16 Write commands are followed by the address (if bit A is set) and the data to be written. LBP16 Addresses are always byte addresses. LBP data and addresses are little endian so must be sent LSB first.

REFERENCE INFORMATION

LBP16

INFO AREA

There are eight possible memory spaces in LBP16. Each memory space has an associated read only info area. The first entry has a cookie to verify correct access. The next two entries in the info area are the MemSizes word and the MemRanges word. Only 16 bit read access is allowed to the info area.

0000	COOKIE = 0X5A0N WHERE N = ADDRESS SPACE 0..7
0002	MEMSIZES
0004	MEMRANGES
0006	ADDRESS POINTER
0008	SPACENAME 0,1
000A	SPACENAME 2,3
000C	SPACENAME 4,5
000E	SPACENAME 6,7

INFO AREA MEMSIZES FORMAT

15	14	13	12	11	10	9	8	7	6	5	4	3	2	1	0
W	T	T	T	T	T	T	T	X	X	X	X	A	A	A	A

W Memory space is Writeable

T Is type: 01 = Register, 02 = Memory, 0E = EEPROM, 0F = Flash

A Is access types (bit 0 = 8 bit, bit 1 = 16 bit etc)so for example 0x06 means 16 bit and 32 bit operations allowed

REFERENCE INFORMATION

LBP16

INFO AREA MEMRANGES FORMAT

15	14	13	12	11	10	9	8	7	6	5	4	3	2	1	0
E	E	E	E	E	P	P	P	P	P	S	S	S	S	S	S

E Is erase block size

P Is Page size

S Ps address range

Ranges are 2^E , 2^P , 2^S . All sizes and ranges are in bytes. E and P are 0 for non-flash memory

REFERENCE INFORMATION

LBP16

INFO_AREA ACCESS

As discussed above, all memory spaces have an associated information area that describes the memory space. Information area data is all 16 bits and read-only. The hex command examples below are written in LSB first order for convenience. In the hex command examples, the NN is the count/increment field of the LBP16 command and the LLHH is the low and high bytes of the address.

Ispace 0 read with address	NN61LLHH	HostMot2 space
Ispace 0 read	NN21	
Ispace 1 read with address	NN65LLHH	Ethernet chip space
Ispace 1 read	NN25	
Ispace 2 read with address	NN69LLHH	Ethernet EEPROM space
Ispace 2 read	NN29	
Ispace 3 read with address	NN6DLLHH	FPGA flash space
Ispace 3 read	NN2D	
Ispace 6 read with address	NN79LLHH	LBP16 R/W space
Ispace 6 read	NN39	
Ispace 7 read with address	NN7DLLHH	LBP16 R/O space
Ispace 7 read	NN3D	

REFERENCE INFORMATION

LBP16

7197T SUPPORTED MEMORY SPACES

The 7197T firmware supports 6 address spaces. These will be described individually with example hexadecimal commands. The hex command examples below are written in LSB first order for convenience. In the hex command examples, the NN is the count/increment field of the LBP16 command and the LLHH is the low and high bytes of the address.

SPACE 0: HOSTMOT2 REGISTERS

This address space is the most important as it gives access to the FPGA I/O. This is a 64K byte address range space with 32 bit R/W access.

Space 0 read with address NN42LLHH

Space 0 write with address NNC2LLHH

Space 0 read NN02

Space 0 write NN82

REFERENCE INFORMATION

LBP16

SPACE 0: HOSTMOT2 REGISTERS

Example: read first 5 entries in hostmot2 IDROM:

85420004

85 ; 85 == NN = 5 | Inc bit (0x80) so address is incremented after each access
42 ; Read from space 0 with address included after command
00 ; LSB of address (IDROM starts at 0x0400)
04 ; MSB of address (IDROM starts at 0x0400)

Example: write 4 GPIO ports starting at 0x1000:

84C20010AAAAAAAAABBBBBBBBCCCCCCCCDDDDDDDD

84 ; 84 == NN = 4 | Inc bit so address is incremented after each access
C2 ; Write to space 0 with address included after command
00 ; LSB of address (GPIO starts at 0x1000)
10 ; MSB of address (GPIO starts at 0x1000)
AAAAAAAA ; 32 bit data for GPIO port 0 at 0x1000
BBBBBBBB ; 32 bit data for GPIO port 0 at 0x1004
CCCCCCCC ; 32 bit data for GPIO port 0 at 0x1008
DDDDDDDD ; 32 bit data for GPIO port 0 at 0x100C

Note like all LBP16 data, write data is LS byte first

REFERENCE INFORMATION

LBP16

SPACE 1: ETHERNET CHIP ACCESS

Space 1 allows access to the KSZ8851-16 registers for debug purposes. All accesses are 16 bit.

Space 1 read with address NN45LLHH

Space 1 write with address NNC5LLHH

Space 1 read NN05

Space 1 write NN85

Example: read Ethernet chip CIDER register: 0145C000

01 ; = NN = read 1 16 bit value

45 ; read space 1 with address included

C0 ; LSB of CIDER address

00 ; MSB of CIDER address

SPACE 2: ETHERNET EEPROM CHIP ACCESS

This space is used to store the Ethernet MAC address, card name, and EEPROM settable IP address. The Ethernet EEPROM space is accessed as 16 bit data. The first 0x20 bytes are read only and the remaining 0x60 bytes are read/write.

Space 2 read with address NN49LLHH

Space 2 write with address NNC9LLHH

Space 2 read NN09

Space 2 write NN89

REFERENCE INFORMATION

LBP16

SPACE2: ETHERNET EEPROM CHIP ACCESS

Writes and erases require that the EEPROMWEna be set to 5A02. *Note that EEPROMWEna is cleared at the end of every LPB packet so the write EEPROMWEna command needs to be prepended to all EEPROM write and erase packets.* For EEPROM write operations a LBP16 read operation should follow the write(s) for host synchronization.

Example: write EEPROM IP address with 192.168.0.32 (C0:A8:0:20 in hex)

01D91A00025A

Enable EEPROM area writes

82C920002000A8C0

Write 2 words to 0020 : C0A80020 (with inc). Note this must be in the same packet and the EEPROMWEna write

ETHERNET EEPROM LAYOUT

ADDRESS DATA

0000	Reserved RO
0002	MAC address LS Word RO
0004	MAC address Mid Word RO
0006	MAC address MS Word RO
0008	Reserved RO
000A	Reserved RO
000C	Reserved RO
000E	Unused RO

REFERENCE INFORMATION

LBP16

ETHERNET EEPROM LAYOUT

ADDRESS	DATA
0010	CardNameChar-0,1 RO
0012	CardNameChar-2,3 RO
0014	CardNameChar-4,5 RO
0016	CardNameChar-6,7 RO
0018	CardNameChar-8,9 RO
001A	CardNameChar-10,11 RO
001C	CardNameChar-12,13 RO
001E	CardNameChar-14,15 RO
0020	EEPROM IP address LS word RW
0022	EEPROM IP address MS word RW
0024	EEPROM Netmask LS word RW (V16 and > firmware)
0026	EEPROM Netmask MS word RW (V16 and > firmware)
0028	DEBUG LED Mode (LS bit determines HostMot2 (0) or debug(1)) RW
002A	Reserved RW
002C	Reserved RW
002E	Reserved RW
0030..007E	Unused RW

REFERENCE INFORMATION

LBP16

SPACE 3: FPGA FLASH EEPROM CHIP ACCESS

Space 3 allows access to the FPGAs configuration flash memory. All flash memory access is 32 bit. Flash memory access is different from other memory spaces in that it is done indirectly via a 32 bit address pointer and 32 bit data port.

Space 3 read with address NN4ELLHH

Space 3 write with address NNCELLHHDDDDDDDD

Space 3 read NN0E

Space 3 write NN8E

FLASH MEMORY REGISTERS

Flash memory spaces have only 4 accessible registers:

ADDRESS	DATA	
0000	FL_ADDR	32 bit flash address register
0004	FL_DATA	32 bit flash data register
0008	FL_ID	32 bit read only flash ID register
000C	SEC_ERASE	32 bit write only sector erase register

Unlike other memory spaces, flash memory space is accessed indirectly by writing the address register (FL_ADDR) and then reading or writing the data (FL_DATA). The flash byte address is automatically incremented by 4 each data access.

Note that reads can read all of flash memory with consecutive read operations but write operations can only write a flash page worth of data before the page write must be started. Also unless you are doing partial page writes, page write should always start on a page boundary.

The page write is started by writing the flash address, reading the flash address, reading flash data, reading flash ID or issuing a erase sector command. For host synchronization, a read operation should follow every sector erase or page write.

REFERENCE INFORMATION

LBP16

SPACE 3: FPGA FLASH EEPROM CHIP ACCESS

Example: read 1024 bytes (0100h doublewords) of flash space at address 00123456:

01CE000056341200	Write FL_ADDR (0000) with pointer (0x00123456)
404E0400	Issue read command (FL_DATA = 0004) With count of 0x40 double words (256 bytes). Note do not use LBP16 increment bit! Flash address always autoincremented
400E	Next 0x40 doublewords = 256 bytes
400E	Next 0x40 doublewords = 256 bytes
400E	Next 0x40 doublewords = 256 bytes

Note that this is close to the maximum reads allowed in a single LBP packet (~1450 bytes)

Writes and erases require that the EEPROMWEna be set to 5A03. *Note that EEPROMWEna is cleared at the end of every LPB packet so the write EEPROMWEna command needs to be prepended to all flash write and erase packets. The following is written on separate lines for clarity but must all be in one packet for correct operation.*

Example: Write a 256 byte page of flash memory starting at 0xC000:

01D91A00035A	Write EEPROMWEna with 0x5A03
01CE000000C00000	Write flash address
40CE0400	Issue write flash data command with count
12345678	Doubleword 0
ABCD8888	Doubleword 1
...	
FFFFFFFF	Doubleword 63 (= 256 bytes)
014E0000	Read new address to commit write and so some data is returned for host synchronization (so host waits for write to complete)

REFERENCE INFORMATION

LBP16

SPACE 3: FPGA FLASH EEPROM CHIP ACCESS

Example: Erase flash sector 0x00010000:

01D91A00035A	Write EEPROMWEna with 0x5A03
01CE00000000100	Write flash address with 0x 00010000
01CE0C0000000000	Write sector erase command (with dummy 32 bit data = 0)
014E0000	Read flash address for host synchronization (this will echo the address <u>after</u> the sector is erased)

REFERENCE INFORMATION

LBP16

SPACE 4 LBP TIMER/UTILITY AREA

Address space 4 is for read/write access to LBP specific timing registers. All memory space 4 access is 16 bit.

Space 4 read with address	NN51LLHH
Space 4 write with address	NND1LLHHDDDD
Space 4 read	NN11
Space 4 write	NN91DDDD

MEMORY SPACE 4 LAYOUT:

ADDRESS	DATA
0000	uSTimeStampReg
0002	WaituSReg
0004	HM2Timeout
0006	WaitForHM2RefTime
0008	WaitForHM2Timer1
000A	WaitForHM2Timer2
000C	WaitForHM2Timer3
000E	WaitForHM2Timer4
0010..001E	Scratch registers for any use

The uSTimeStamp register reads the free running hardware microsecond timer. It is useful for timing internal 7I97T operations. Writes to the uSTimeStamp register are a no-op. The WaituS register delays processing for the specified number of microseconds when written, (0 to 65535 uS) reads return the last wait time written. The HM2TimeOut register sets the timeout value for all WaitForHM2 times (0 to 65536 uS).

All the WaitForHM2Timer registers wait for the rising edge of the specified timer or reference output when read or written, write data is don't care, and reads return the wait time in uS. The HM2TimeOut register places an upper bound on how long the WaitForHM2 operations will wait. HM2Timeouts set the HM2TImeout error bit in the error register.

REFERENCE INFORMATION

LBP16

SPACE 6 LBP STATUS/CONTROL AREA

Address space 6 is for read/write access to LBP specific control, status, and error registers. All memory space 6 access is 16 bit. The RXUDPCount and TXUDPCount can be used as sequence numbers to verify packet reception and transmission.

Space 6 read with address	NN59LLHH
Space 6 write with address	NND9LLHHDDDD
Space 6 read	NN19
Space 6 write	NN99DDDD

MEMORY SPACE 6 LAYOUT:

ADDRESS	DATA
0000	ErrorReg
0002	LBPParseErrors
0004	LBPMemErrors
0006	LBPWriteErrors
0008	RXPktCount
000A	RXUDPCount
000C	RXBadCount
000E	TXPktCount
00010	TXUDPCount
00012	TXBadCount

REFERENCE INFORMATION

LBP16

MEMORY SPACE 6 LAYOUT:

ADDRESS DATA

0014	LEDMode	If LSb is 0, LEDs are "owned" by HostMot2, otherwise LEDs are local debug LEDs
0016	DebugLEDPtr	What variable in space 6 local debug LEDs show (default is RXPktCount).
0018	Scratch	Can be used for sequence numbers
001A	EEPROMWEna	Must be set to 5A0N to enable EEPROM or flash writes or erases (N is memory space of EEPROM or flash) Note that this is cleared at the end of every packet.
001C	LBPReset	Setting this to a non-zero value will do a full reset of the LBP16 firmware. The 7I97T will read its IP address jumpers and re-assign its IP address. The 7I97T will be unresponsive for as much as ½ of a second after this command.
001E	FPGAICAP	FPGA ICAP-16 register to allow remote FPGA reload and other low level FPGA access.

ERROR REGISTER FORMAT

BIT ERROR

0	LBPParseError
1	LBPMemError
2	LBPWriteError
3	RXPacketErr
4	TXPacketErr
5	HM2TimeOutError
6..15	Reserved

REFERENCE INFORMATION

LBP16

SPACE 7: LBP READ ONLY AREA

Memory space 7 is used for read only card information. Memory space 7 is accessed as 16 bit data.

Space 7 read with address NN5DLLHH

Space 7 read NN1D

MEMORY SPACE 7 LAYOUT:

ADDRESS	DATA
0000	CardNameChar-0,1
0002	CardNameChar-2,3
0004	CardNameChar-4,5
0006	CardNameChar-6,7
0008	CardNameChar-8,9
000A	CardNameChar-10,11
000C	CardNameChar-12,13
000E	CardNameChar-14,15
0010	LBPVersion
0012	FirmwareVersion
0014	Option Jumpers
0016	Reserved
0018	RecvStartTS 1 uSec timestamps
001A	RecvDoneTS For performance monitoring
001C	SendStartTS Send timestamps are
001E	SendDoneTS from <i>previous</i> packet

REFERENCE INFORMATION

LBP16

ELBPCOM

ELBPCOM is a very simple demo program in Python (2.x) to allow simple checking of LBP16 host communication to the 7197T. ELBPCOM accepts hexadecimal LBP16 commands and data and returns hexadecimal results. Note that the timeout value will need to be increased to about 2 seconds to try flash sector erase commands.

```
import socket
s = socket.socket(socket.AF_INET, socket.SOCK_DGRAM, 0)
sip = "192.168.1.121"
sport = 27181
s.settimeout(.2)
while(2 > 0):
    sdata = raw_input('>')
    sdata = sdata.decode('hex')
    s.sendto(sdata, (sip, sport))
    try:
        data, addr = s.recvfrom(1280)
        print('>'), data.encode('hex')
    except socket.timeout:
        print('No answer')
```

Sample run:

```
>01420001 ; read hostmot2 cookie at 0x100
> fecaaa55 ; 7197T returns 0x55AACAFE

>82492000 ; read EEPROM IP address at 0x0020
> 450a5863 ; 63:58:0A:45 = 99.88.10.69
; (for example)

>01D91A00025A82C920000100a8C0 ; write EEPROM IP address
; (at 0x0020) with
; C0:A8:0:1 = 192.168.0.1
```

REFERENCE INFORMATION

SPECIFICATIONS

	MIN	MAX	NOTES
GENERAL			
HOST SUPPLY VOLTAGE 5V	4.75 VDC	5.25 VDC	
5V CURRENT	----	750 mA	No ext load
ANALOG OUTPUTS			
OUTPUT ACCURACY	-0.8	+0.8	%FS
OUTPUT CURRENT	----	5	mA
OUTPUT RESOLUTION	----	15	Bits
RIPPLE AND NOISE	-0.1	+0.1	%FS
ISOLATED INPUTS			
INPUT RANGE	+4V	+36V	
INPUT RESISTANCE	4.7K	5K	
INPUT ISOLATION VOLTAGE	----	100	VDC
MAXIMUM INPUT FREQUENCY	----	5	KHz
ISOLATED OUTPUTS			
OUTPUT SWITCHED VOLTAGE	0V	+36V	
OUTPUT SWITCHED CURRENT	----	2A	
OUTPUT RESISTANCE	----	75	mOhm
OUTPUT ISOLATION VOLTAGE	----	100	VDC
MAXIMUM OUTPUT FREQUENCY	----	5	KHz

REFERENCE INFORMATION

SPECIFICATIONS

	MIN	MAX	NOTES
HIGH SPEED ENCODER INPUTS			
INPUT COMMON MODE RANGE	-7	+12	Volts
INPUT TTL MODE THRESHOLD	1.4	1.8	Volts
DIFFERENTIAL MODE IMPEDANCE	110	120	Ohms
COUNT RATE	----	3	MHz
RS-422/RS485 INTERFACE			
MAXIMUM DATA RATE	----	5	MBIT/S
INPUT COMMON MODE RANGE	-7	+12	Volts
INPUT TERMINATION RESISTOR	118	122	Ohm
OUTPUT LOW (24 mA sink)	----	.8	Volts
OUTPUT HIGH (24 mA source)	VCC-2	----	Volts
EXPANSION I/O			
OUTPUT VOLTAGE LOW	----	.4V	8 mA sink
OUTPUT VOLTAGE HIGH	2.4V	----	8 mA source
ENVIRONMENTAL			
TEMPERATURE -C VERSION	0°C	70°C	

REFERENCE INFORMATION

DRAWINGS

