

7185S MANUAL

8 differential output plus 4 channel encoder interface

V1.6

This page intentionally almost blank

Table of Contents

GENERAL	1
DESCRIPTION	1
HARDWARE CONFIGURATION	2
DEFAULT CONFIGURATION	2
TTL/RS-422 ENCODER SELECTION	2
CABLE POWER SELECTION	2
CONNECTORS	3
CONNECTOR LOCATIONS AND DEFAULT JUMPERS	3
CONTROLLER CONNECTOR	4
5V POWER	5
ENCODER CONNECTOR TB3	6
ENCODER /OUTPUT CONNECTOR TB2	7
OUTPUT CONNECTOR TB1	8
OPERATION	
5V POWER	9
ENCODER INPUT CIRCUITRY	9
MAXIMUM ENCODER COUNT RATE	10
INTERFACING WITH MESA SERIAL DEVICES	10
DIFFERENTIAL OUTPUT DRIVE	11
STARTUP OUTPUT POLARITY AND STATE	11
SPECIFICATIONS	12
DRAWINGS	13

GENERAL

DESCRIPTION

The 7I85S is a eight channel differential output plus four channel encoder interface for Mesas 25 pin Anything I/O series of FPGA interface cards. The 7I85S is designed for motion control applications. A common usage of the 7I85S would be connecting up to four STEP/DIR or PWM/DIR interfaced drives to the buffered 5V differential outputs and up to four encoders with index to the 7I85Ss encoder inputs. One full duplex RS-422 channel is provided for I/O expansion.

Encoder inputs can be TTL or differential on a per input basis. The 7I85S can also supply 5V power to encoders..

The controller connection is a DB25F connector that matches the pinout of Mesa's 25 pin Anything I/O cards. All buffered I/O is terminated with 3.5 mm pluggable screw terminals (supplied)

HARDWARE CONFIGURATION

GENERAL

Hardware setup jumper positions assume that the 7I85S card is oriented in an upright position, that is, with the DB25F controller connector on the left hand side.

DEFAULT CONFIGURATION

JUMPER	FUNCTION	DEFAULT SETTING
W3	CABLE/AUX 5V POWER	UP = CABLE 5V POWER
W9,W11,W13	ENCODER 0	ALL DOWN = RS-422
W5,W6,W7	ENCODER 1	ALL DOWN = RS-422
W1, W2, W4	ENCODER 2	ALL DOWN = RS-422
W8,W10,W12	ENCODER 3	ALL DOWN = RS-422

TTL/RS-422 ENCODER SELECTION

Each 7I85S encoder channel has a selectable TTL or RS-422 (differential) encoder input conditioning. Conditioning type is determined by setting groups of 3 jumpers to the up or down position. When the jumpers are in the "UP" position, TTL inputs are selected, When the jumpers are in the "DOWN" position, RS-422 inputs are selected. Note these sets of three jumpers are in physical proximity to the terminal block encoder connections.

CABLE POWER

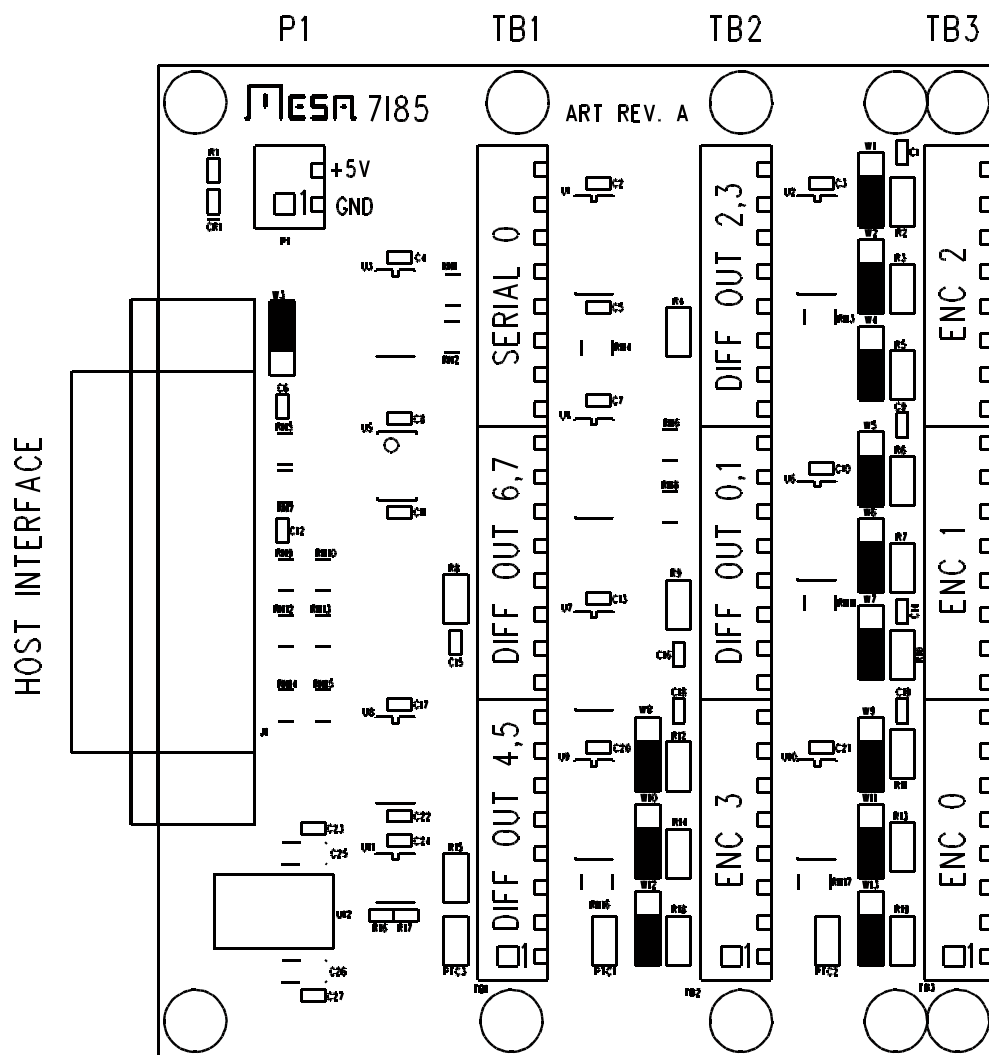
The 7I85S can get its logic power from the host FPGA card or from P1. W3 determines if the 7I85S gets its 5V logic power from the host FPGA card or P1.

If W3 is in the 'UP' position, host FPGA power is used and the host FPGA card must be jumpered to supply 5V to the daughtercard.

If W3 is in the 'DOWN' position, 5V power must be supplied to the 7I85S via P1 and the 7I85S grounds the 4 DB25 signals used for host 5V power. In this case the FPGA card must be jumpered so that it does **not** supply power to the daughtercard.

CONNECTORS

CONNECTOR LOCATIONS AND DEFAULT JUMPER POSITIONS



Note: TB1, TB2, TB3 Pin 1 is marked with square and '1'

CONNECTORS

CONTROLLER CONNECTOR

Female 25 pin DB-25F P1 is the host interface connector. This connects to the host interface FPGA card via a IEEE-1284 male-male DB-25 cable.

DB-25 PIN	FPGA PRIM I/O	FPGA SEC I/O	FUNCTION
1	IO0	IO17	SRX0
14	IO1	IO18	STX0
2	IO2	IO19	TX6
15	IO3	IO20	TX7
3	IO4	IO21	TX4
16	IO5	IO22	TX5
4	IO6	IO23	TX2
17	IO7	IO24	TX3
5	IO8	IO25	TX0
6	IO9	IO26	TX1
7	IO10	IO27	ENCMUX
8	IO11	IO28	MENCA0
9	IO12	IO29	MENCB0
10	IO13	IO30	MIDX0
11	IO14	IO31	MENCA1
12	IO15	IO32	MENCB1
13	IO16	IO33	MIDX1

Pins 18, 19, 20, and 21 are ground. Pins 22, 23, 24 and 25 are either ground or 5V depending on jumper W1 (ground if W1 "DOWN", 5V if W1 "UP").

CONNECTORS

5V POWER

2 pin pluggable terminal P1 can be used to supply 5V power to the I/O terminals on the 7185S. This is suggested for applications where the encoders or remote serial cards draw more current than can be supplied via the host interface cable. P1 has the following pinout:

PIN	FUNCTION
1	GND
2	+5V

CONNECTORS

ENCODER CONNECTOR TB3

Connector TB3 is a 3.5MM pluggable screw terminal block with encoder channels 0 through 2:

TB3 PIN	FUNCTION	DIR
1	QA0	TO 7I85S
2	/QA0	TO 7I85S
3	GND	FROM 7I85S
4	QB0	TO 7I85S
5	/QB0	TO 7I85S
6	+5V	FROM 7I85S
7	IDX0	TO 7I85S
8	/IDX0	TO 7I85S
9	QA1	TO 7I85S
10	/QA1	TO 7I85S
11	GND	FROM 7I85S
12	QB1	TO 7I85S
13	/QB1	TO 7I85S
14	+5V	FROM 7I85S
15	IDX1	TO 7I85S
16	/IDX1	TO 7I85S
17	QA2	TO 7I85S
18	/QA2	TO 7I85S
19	GND	FROM 7I85S
20	QB2	TO 7I85S
21	/QB2	TO 7I85S
22	+5V	FROM 7I85S
23	IDX2	TO 7I85S
24	/IDX2	TO 7I85S

Note that actual signal functions depend on FPGA configuration.

CONNECTORS

ENCODER/OUTPUT CONNECTOR TB2

Connector TB2 is a 3.5MM pluggable screw terminal block with the following pinout:

TB2 PIN	FUNCTION	DIR
1	QA3	TO 7I85S
2	/QA3	TO 7I85S
3	GND	FROM 7I85S
4	QB3	TO 7I85S
5	/QB3	TO 7I85S
6	+5V	FROM 7I85S
7	IDX3	TO 7I85S
8	/IDX3	TO 7I85S
9	GND	FROM 7I85S
10	GND	FROM 7I85S
11	TX0	FROM 7I85S
12	/TX0	FROM 7I85S
13	TX1	FROM 7I85S
14	/TX1	FROM 7I85S
15	+5V	FROM 7I85S
16	+5V	FROM 7I85S
17	GND	FROM 7I85S
18	GND	FROM 7I85S
19	TX2	FROM 7I85S
20	/TX2	FROM 7I85S
21	TX3	FROM 7I85S
22	/TX3	FROM 7I85S
23	+5V	FROM 7I85S
24	+5V	FROM 7I85S

Note that actual signal functions depend on FPGA configuration.

CONNECTORS

OUTPUT/SERIAL CONNECTOR TB1

Connector TB1 is a 3.5MM pluggable screw terminal block with the following pinout:

TB1 PIN	FUNCTION	DIR
1	GND	FROM 7I85S
2	GND	FROM 7I85S
3	TX4	FROM 7I85S
4	/TX4	FROM 7I85S
5	TX5	FROM 7I85S
6	/TX5	FROM 7I85S
7	+5V	FROM 7I85S
8	+5V	FROM 7I85S
9	GND	FROM 7I85S
10	GND	FROM 7I85S
11	TX6	FROM 7I85S
12	/TX6	FROM 7I85S
13	TX7	FROM 7I85S
14	/TX7	FROM 7I85S
15	+5V	FROM 7I85S
16	+5V	FROM 7I85S
17	GND	FROM 7I85S
18	GND	FROM 7I85S
19	SRX0	TO 7I85S
20	/SRX0	TO 7I85S
21	STX0	FROM 7I85S
22	/STX0	FROM 7I85S
23	+5V	FROM 7I85S
24	+5V	FROM 7I85S

Note that actual signal functions depend on FPGA configuration.

OPERATION

5V POWER

The 7185S requires ~200 mA of 5V power for operation. This power will increase based on the number of terminated differential outputs used, up to a maximum of ~300 mA of local logic power. Encoder power and device power must be added to this figure for total power draw

Power for the 7185S logic is normally supplied from the host interface but can also be supplied via P1, the 5V power connector. .

The 5V power to I/O connectors TB1, TB2, and TB3 each pass through a 1.1A PTC device before being routed to the I/O terminals. This limits the I/O power supplied by TB1, TB2, and TB3 to ~640 mA each in 0 to 70C ambients.

ENCODER INPUT CIRCUIT

The 7185S input circuit is different depending on whether TTL or RS-422 encoder types have been selected. In TTL mode the input circuit on the encoder QA, QB, and IDX inputs drive one input of the RS-422 differential receiver, and the other receiver input is terminated to a 1.6V (TTL threshold) reference voltage. In RS-422 mode, the input consists of a 120 Ohm termination resistor and a 26LS32 RS-422 differential receiver.

When TTL encoders are used, they connect to the 'True' input of the differential pair, for example a TTL encoder for channel 2 would connect to QA2, QB2 and IDX2, while the /QA2, /QB2, and /IDX2 terminals would be left open.

Fine print: normally the input mode jumpers would always be moved as a sets of three to select TTL or RS-422 mode for individual encoders, however it is possible to select TTL or RS-422 mode for each encoder signal, for example if a encoder had a differential A, B but TTL index, the input circuit can accommodate this. The three input mode select jumpers are in bottom to top order: QA, QB, IDX.

OPERATION

MAXIMUM ENCODER COUNT RATE

The 7I85S uses multiplexed encoder signals to save interface pins. The multiplexing rate will determine the maximum encoder count rate. Default multiplexing rate with HostMot2 firmware is ClockLow / 8, or approximately 4 or 6 MHz, giving a resolvable count rate of 2 to 3 MHz. Multiplexing rate can be increased if desired but high multiplex rates will require short cables between the FPGA controller card and the 7I85S due to signal integrity and time-of-flight considerations. Maximum practical multiplex rate is approximately 12 MHz (and 6 MHz count rates). Encoder count rate is further limited by HostMot2s input filtering to ~5 to ~8 million counts per second (encoder filtering off) and ~1 to ~1.6 million counts per second (encoder filtering on).

INTERFACING WITH MESA SERIAL DEVICES

The 7I85S serial port is intended to be a general purpose RS-422 serial interface but can easily interface to MESA's serial I/O devices that use RS-422 communication and RJ45/CAT5 cable for the serial interface. These devices include the 7I64 Isolated I/O interface, the 8I20 3 phase drive, the 7I66 isolated I/O interface, the 7I69 TTL I/O interface and the 7I73 pendant interface. The easiest way to make a cable for interfacing the 7I85 to these devices is to take a standard CAT5 or CAT6 cable, cut it in half, and wire the individual wires to the 7I85 screw terminals. The following chart gives the CAT5 to 7I85 screw terminal connections (EIA/TIA 568B colors shown):

TB1 PIN	7I85S SIGNAL	DIRECTION	CAT5 PIN	CAT5 568B COLOR
17	GND	FROM 7I85S	4	BLUE
18	GND	FROM 7I85S	5	BLUE / WHITE
19	SRX+	TO 7I85S	6	GREEN
20	SRX-	TO 7I85S	3	GREEN / WHITE
21	STX+	FROM 7I85S	2	ORANGE
22	STX-	FROM 7I85S	1	ORANGE / WHITE
23	+5V	FROM 7I85S	7	BROWN / WHITE
24	+5V	FROM 7I85S	8	BROWN

OPERATION

DIFFERENTIAL OUTPUT DRIVE

The 7I85S outputs are designed to drive singly terminated RS-422 lines or remote opto-isolator diodes. Maximum output drive is 35 mA. The 7I85S outputs can be used individually for interfacing single ended loads.

STARTUP OUTPUT POLARITY AND STATE

When 7I85S outputs are used for drive enables or other safety related controls its very important that the startup state disables the external equipment.

The differential outputs are polarized such that the TXN pins are inverted from the FPGA pins and the /TXN pins are non inverting. This may seem a little backwards but it's an artifact of the communication oriented background of the 7I85S. Since the FPGA cards outputs are high at startup, the TXN pins will be low at startup (and therefore suitable for active high enables). The /TXN pins will be high at startup (and suitable for active low enables).

SPECIFICATIONS

	MIN	MAX	UNITS
5V POWER SUPPLY	4.75	5.25	VDC
5V POWER CONSUMPTION	---	300	mA
(all outputs loaded with 130 ohm terminations)			
(no external encoder or serial 5V load)			
5V CURRENT TO EACH I/O CONNECTOR	---	640	mA
MAXIMUM DATA OUTPUT RATE	---	10	MBIT/S
RS-422 OUTPUT LOW	—	.8	Volts
(24 mA sink current)			
RS-422 OUTPUT HIGH	VCC-2.5	—	Volts
(24 mA source current)			
ENC INPUT COMMON MODE RANGE	-7	+12	Volts
ENC INPUT TTL MODE THRESHOLD	1.4	1.8	Volts
OPERATING TEMP.	0	+70	°C

DRAWINGS

