

7185 MANUAL

5 channel RS-422 + 4 channel encoder interface

V1.4

This page intentionally almost blank

Table of Contents

GENERAL	1
DESCRIPTION	1
HARDWARE CONFIGURATION	2
DEFAULT CONFIGURATION	2
TTL/RS-422 ENCODER SELECTION	2
CABLE POWER SELECTION	2
CONNECTORS	3
CONNECTOR LOCATIONS AND DEFAULT JUMPERS	3
CONTROLLER CONNECTOR	4
5V POWER	5
ENCODER CONNECTOR TB3	6
ENCODER /SERIAL CONNECTOR TB2	7
SERIAL CONNECTOR TB1	8
OPERATION	
5V POWER	9
ENCODER INPUT CIRCUITRY	9
MAXIMUM ENCODER COUNT RATE	10
INTERFACING WITH MESA SERIAL DEVICES	10
SPECIFICATIONS	11
DRAWINGS	12

GENERAL

DESCRIPTION

The 7185 is a five channel RS-422 serial plus four channel encoder interface for Mesa's 25 pin Anything I/O series of FPGA interface cards. The 7185 is designed for motion control applications. A common usage of the 7185 would be connecting up to four serially interfaced drives to four of the 7185s five full duplex RS-422 interfaces and up to four encoders with index to the 7185s encoder inputs.

Encoder inputs can be TTL or differential on a per input basis. The 7185 can also supply 5V power to encoders. A 7185S version is available that replaces the five serial interfaces with 10 differential outputs that can be used as five differential step+ dir output pairs or PWM outputs or other output functions.

The controller connection is a DB25F connector that matches the pinout of Mesa's 25 pin Anything I/O cards. All buffered I/O is terminated with 3.5 mm pluggable screw terminals (supplied)

HARDWARE CONFIGURATION

GENERAL

Hardware setup jumper positions assume that the 7185 card is oriented in an upright position, that is, with the DB25F controller connector on the left hand side.

DEFAULT CONFIGURATION

JUMPER	FUNCTION	DEFAULT SETTING
W3	CABLE/AUX 5V POWER	UP = CABLE 5V POWER
W9,W11,W13	ENCODER 0	ALL DOWN = RS-422
W5,W6,W7	ENCODER 1	ALL DOWN = RS-422
W1, W2, W4	ENCODER 2	ALL DOWN = RS-422
W8,W10,W12	ENCODER 3	ALL DOWN = RS-422

TTL/RS-422 ENCODER SELECTION

Each 7185 encoder channel has a selectable TTL or RS-422 (differential) encoder input conditioning. Conditioning type is determined by setting groups of 3 jumpers to the up or down position. When the jumpers are in the "UP" position, TTL inputs are selected, When the jumpers are in the "DOWN" position, RS-422 inputs are selected. Note these sets of three jumpers are in physical proximity to the terminal block encoder connections.

CABLE POWER

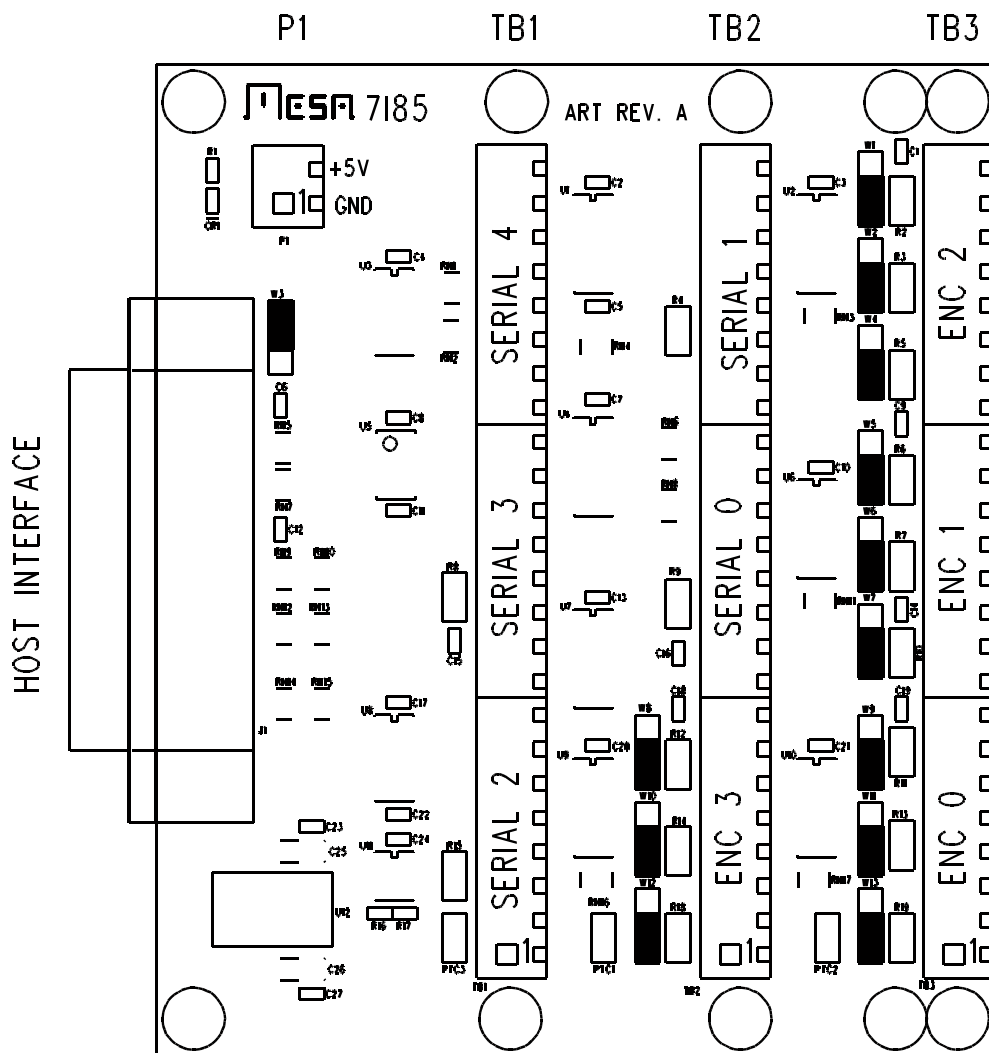
The 7185 can get its logic power from the host FPGA card or from P1. W3 determines if the 7185 gets its 5V logic power from the host FPGA card or P1.

If W3 is in the 'UP' position, host FPGA power is used and the host FPGA card must be jumpered to supply 5V to the daughtercard.

If W3 is in the 'DOWN' position, 5V power must be supplied to the 7185 via P1 and the 7185 grounds the 4 DB25 signals used for host 5V power. In this case the FPGA card must be jumpered so that it does **not** supply power to the daughtercard.

CONNECTORS

CONNECTOR LOCATIONS AND DEFAULT JUMPER POSITIONS



Note: TB1, TB2, TB3 Pin 1 is marked with square and '1'

CONNECTORS

CONTROLLER CONNECTOR

Female 25 pin DB-25F P1 is the host interface connector. This connects to the host interface FPGA card via a IEEE-1284 male-male DB-25 cable.

DB-25 PIN	FPGA PRIM I/O	FPGA SEC I/O	FUNCTION
1	IO0	IO17	RX4
14	IO1	IO18	TX4
2	IO2	IO19	RX3
15	IO3	IO20	TX3
3	IO4	IO21	RX2
16	IO5	IO22	TX2
4	IO6	IO23	RX1
17	IO7	IO24	TX1
5	IO8	IO25	RX0
6	IO9	IO26	TX0
7	IO10	IO27	ENCMUX
8	IO11	IO28	MENCA0
9	IO12	IO29	MENCB0
10	IO13	IO30	MIDX0
11	IO14	IO31	MENCA1
12	IO15	IO32	MENCB1
13	IO16	IO33	MIDX1

Pins 18, 19, 20, and 21 are ground. Pins 22, 23, 24 and 25 are either ground or 5V depending on jumper W3 (ground if W3 "DOWN", 5V if W3 "UP").

CONNECTORS

5V POWER

2 pin pluggable terminal P1 can be used to supply 5V power to the I/O terminals on the 7185. This is suggested for applications where the encoders or remote serial cards draw more current than can be supplied via the host interface cable. P1 has the following pinout:

PIN	FUNCTION
1	GND
2	+5V

CONNECTORS

ENCODER CONNECTOR TB3

Connector TB3 is a 3.5MM pluggable screw terminal block with encoder channels 0 through 2:

TB3 PIN	FUNCTION	DIR
1	QA0	TO 7185
2	/QA0	TO 7185
3	GND	FROM 7185
4	QB0	TO 7185
5	/QB0	TO 7185
6	+5V	FROM 7185
7	IDX0	TO 7185
8	/IDX0	TO 7185
9	QA1	TO 7185
10	/QA1	TO 7185
11	GND	FROM 7185
12	QB1	TO 7185
13	/QB1	TO 7185
14	+5V	FROM 7185
15	IDX1	TO 7185
16	/IDX1	TO 7185
17	QA2	TO 7185
18	/QA2	TO 7185
19	GND	FROM 7185
20	QB2	TO 7185
21	/QB2	TO 7185
22	+5V	FROM 7185
23	IDX2	TO 7185
24	/IDX2	TO 7185

Note that actual signal functions depend on FPGA configuration.

CONNECTORS

ENCODER/SERIAL CONNECTOR TB2

Connector TB2 is a 3.5MM pluggable screw terminal block with the following pinout:

TB2 PIN	FUNCTION	DIR
1	QA3	TO 7185
2	/QA3	TO 7185
3	GND	FROM 7185
4	QB3	TO 7185
5	/QB3	TO 7185
6	+5V	FROM 7185
7	IDX3	TO 7185
8	/IDX3	TO 7185
9	GND	FROM 7185
10	GND	FROM 7185
11	RX0	TO 7185
12	/RX0	TO 7185
13	TX0	FROM 7185
14	/TX0	FROM 7185
15	+5V	FROM 7185
16	+5V	FROM 7185
17	GND	FROM 7185
18	GND	FROM 7185
19	RX1	TO 7185
20	/RX1	TO 7185
21	TX1	FROM 7185
22	/TX1	FROM 7185
23	+5V	FROM 7185
24	+5V	FROM 7185

Note that actual signal functions depend on FPGA configuration.

CONNECTORS

SERIAL CONNECTOR TB1

Connector TB1 is a 3.5MM pluggable screw terminal block with the following pinout:

TB1 PIN	FUNCTION	DIR
1	GND	FROM 7185
2	GND	FROM 7185
3	RX2	TO 7185
4	/RX2	TO 7185
5	TX2	FROM 7185
6	/TX2	FROM 7185
7	+5V	FROM 7185
8	+5V	FROM 7185
9	GND	FROM 7185
10	GND	FROM 7185
11	RX3	TO 7185
12	/RX3	TO 7185
13	TX3	FROM 7185
14	/TX3	FROM 7185
15	+5V	FROM 7185
16	+5V	FROM 7185
17	GND	FROM 7185
18	GND	FROM 7185
19	RX4	TO 7185
20	/RX4	TO 7185
21	TX4	FROM 7185
22	/TX4	FROM 7185
23	+5V	FROM 7185
24	+5V	FROM 7185

Note that actual signal functions depend on FPGA configuration.

OPERATION

5V POWER

The 7185 requires ~200 mA of 5V power for operation. This power will increase based on the number of terminated TX outputs used, up to a maximum of ~300 mA of local logic power. Encoder power and remote serial device power must be added to this figure for total power draw

Power for the 7185 logic is normally supplied from the host interface but can also be supplied via P1, the 5V power connector. .

The 5V power to I/O connectors TB1, TB2, and TB3 each pass through a 1.1A PTC device before being routed to the I/O terminals. This limits the I/O power supplied by TB1, TB2, and TB3 to ~640 mA each in 0 to 70C ambients.

ENCODER INPUT CIRCUIT

The 7185 input circuit is different depending on whether TTL or RS-422 encoder types have been selected. In TTL mode the input circuit on the encoder QA, QB, and IDX inputs drive one input of the RS-422 differential receiver, and the other receiver input is terminated to a 1.6V (TTL threshold) reference voltage. In RS-422 mode, the input consists of a 120 Ohm termination resistor and a 26LS32 RS-422 differential receiver.

When TTL encoders are used, they connect to the 'True' input of the differential pair, for example a TTL encoder for channel 2 would connect to QA2, QB2 and IDX2, while the /QA2, /QB2, and /IDX2 terminals would be left open.

Fine print: normally the input mode jumpers would always be moved as a sets of three to select TTL or RS-422 mode for individual encoders, however it is possible to select TTL or RS-422 mode for each encoder signal, for example if a encoder had a differential A, B but TTL index, the input circuit can accommodate this. The three input mode select jumpers are in bottom to top order: QA, QB, IDX.

OPERATION

MAXIMUM ENCODER COUNT RATE

The 7185 uses multiplexed encoder signals to save interface pins. The multiplexing rate will determine the maximum encoder count rate. Default multiplexing rate with HostMot2 firmware is ClockLow / 8, or approximately 4 or 6 MHz, giving a resolvable count rate of 2 to 3 MHz. Multiplexing rate can be increased if desired but high multiplex rates will require short cables between the FPGA controller card and the 7185 due to signal integrity and time-of-flight considerations. Maximum practical multiplex rate is approximately 12 MHz (and 6 MHz count rates). Encoder count rate is further limited by HostMot2s input filtering to ~5 to ~8 million counts per second (encoder filtering off) and ~1 to ~1.6 million counts per second (encoder filtering on).

INTERFACING WITH MESA SERIAL DEVICES

The 7185 is intended to be a general purpose RS-422 serial plus encoder interface but can easily interface to MESA's SSerial I/O devices that use RS-422 communication and RJ45/CAT5 cable for the serial interface. These devices include the 7164 Isolated I/O interface, the 8I20 3 phase drive, the 7166 isolated I/O interface, the 7169 TTL I/O interface and the 7173 pendant interface. The easiest way to make a cable for interfacing the 7185 to these devices is to take a standard CAT5 or CAT6 cable, cut it in half, and wire the individual wires to the 7185 screw terminals. The following chart gives the CAT5 to 7185 screw terminal connections (EIA/TIA 568B colors shown):

7185 PIN	7185 SIGNAL	DIRECTION	CAT5 PIN	CAT5 568B COLOR
1,9,17	GND	FROM 7185	4	BLUE
2,10,18	GND	FROM 7185	5	BLUE / WHITE
3,11,19	RX+	TO 7185	6	GREEN
4,12,20	RX-	TO 7185	3	GREEN / WHITE
5,13,21	TX+	FROM 7185	2	ORANGE
6,14,22	TX-	FROM 7185	1	ORANGE / WHITE
7,15,23	+5V	FROM 7185	7	BROWN / WHITE
8,16,24	+5V	FROM 7185	8	BROWN

SPECIFICATIONS

	MIN	MAX	UNITS
5V POWER SUPPLY	4.75	5.25	VDC
5V POWER CONSUMPTION	---	300	mA
(all outputs loaded with 130 ohm terminations)			
(no external encoder or serial 5V load)			
5V CURRENT TO EACH I/O CONNECTOR	---	640	mA
MAXIMUM DATA RATE	---	10	MBIT/S
RS-422 INPUT COMMON MODE RANGE	-7	+12	Volts
RS-422 TERMINATION RESISTANCE	118	122	Ohm
RS-422 OUTPUT LOW	—	.8	Volts
(24 mA sink current)			
RS-422 OUTPUT HIGH	VCC-2.5	—	Volts
(24 mA source current)			
ENC INPUT COMMON MODE RANGE	-7	+12	Volts
ENC INPUT TTL MODE THRESHOLD	1.4	1.8	Volts
OPERATING TEMP.	0	+70	°C
OPERATING TEMP. (-I version)	-40	+85	°C
OPERATION HUMIDITY	0	95%	NON-COND

DRAWINGS

